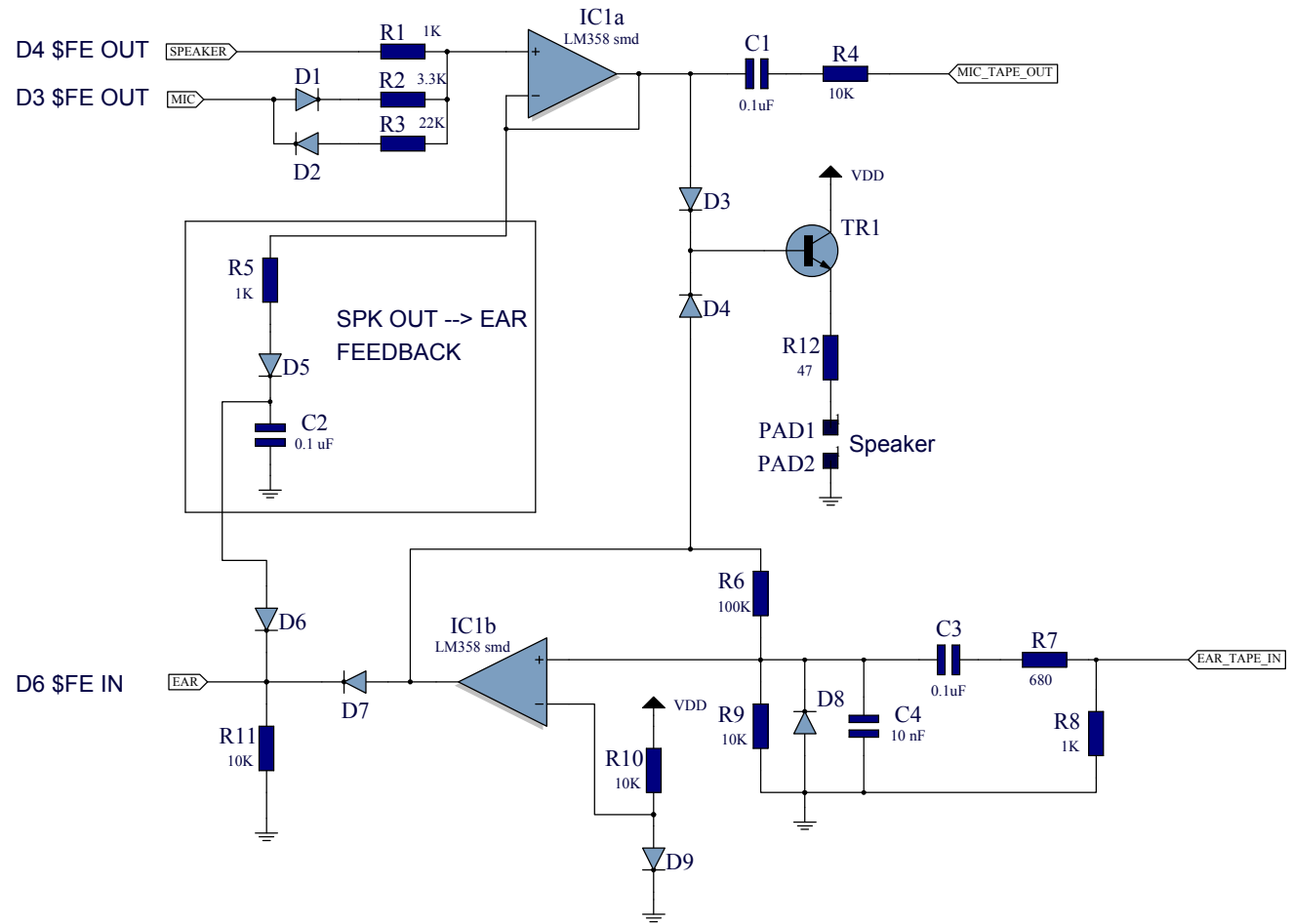
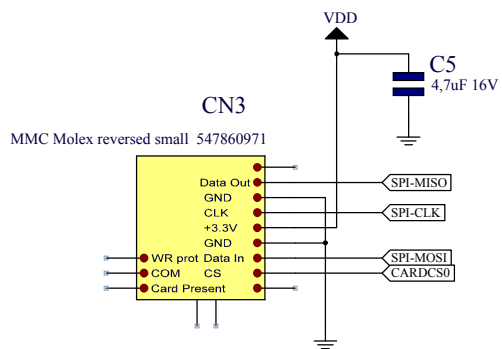
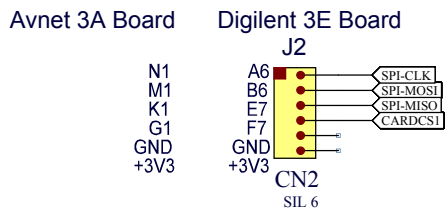
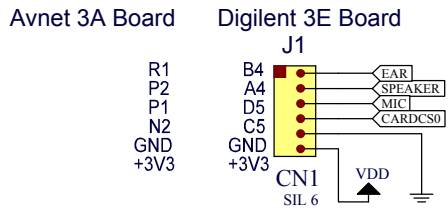


The interface has been tested on both Digilent 3E and Avnet 3A boards.
 Pinout and physical connectors location is exactly the same; the interface can be used without any modification.



ZX-Spectrum compatible Tape Interface for FPGA zx-badaloc
 by Alessandro Poppi <poppi@libero.it>