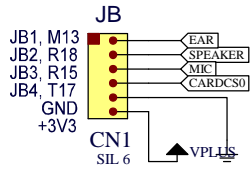
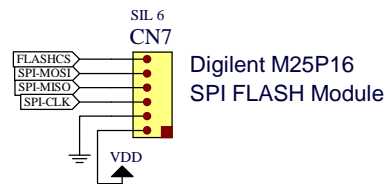
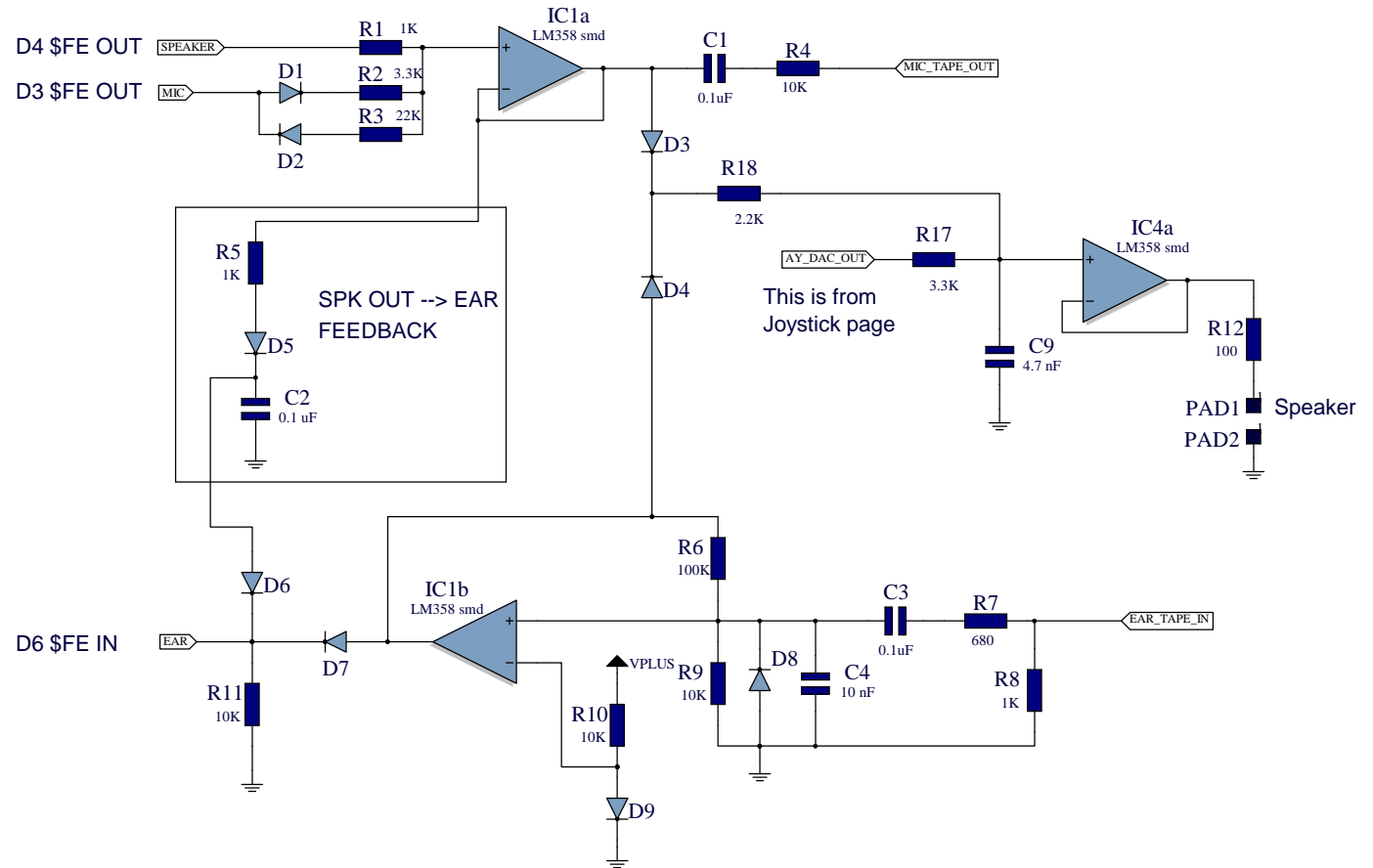
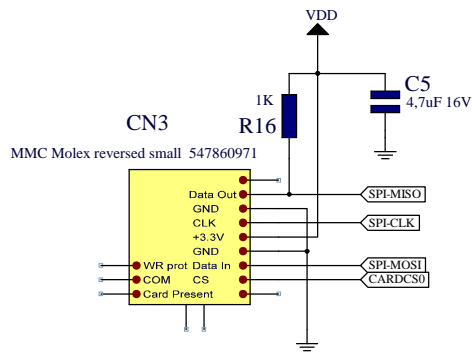
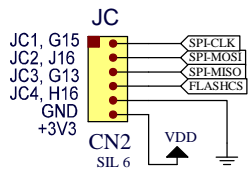


Only the upper row of connectors JB and JC are used by now.

Digilent Nexys2



CARDCS1 (available on JB5, P17) is not connected.



ZX-Spectrum compatible Tape Interface for FPGA zx-badalog
by Alessandro Poppi <alessandro.poppi@tiscali.it>