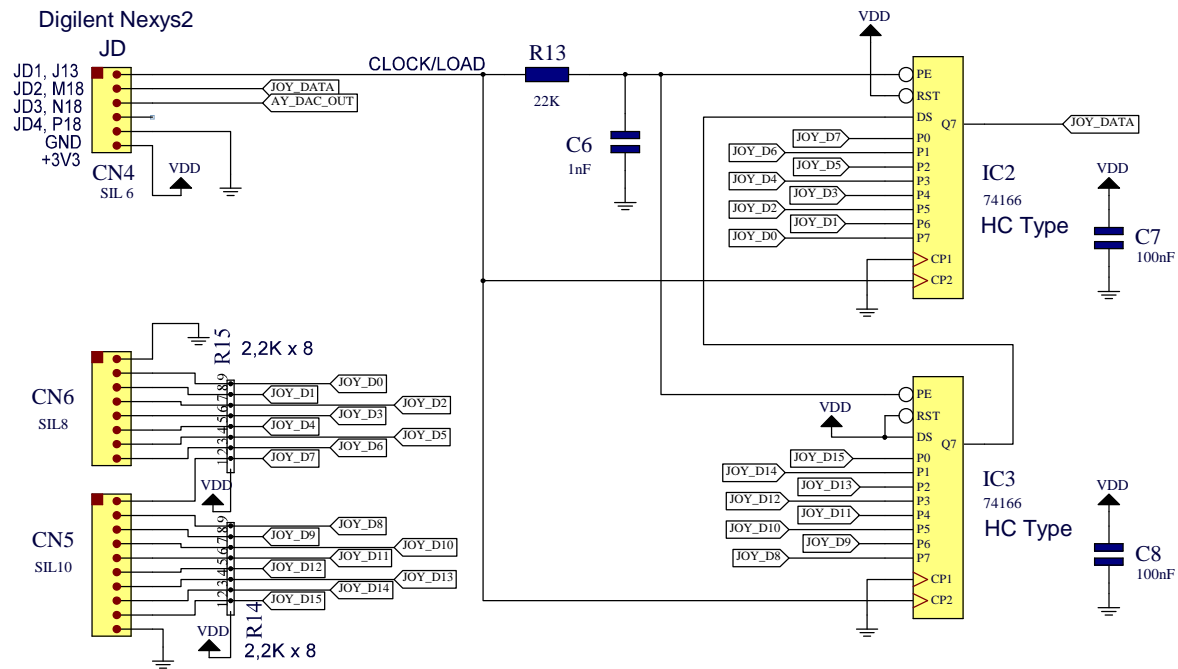


If 8 inputs are enough, IC2 can be omitted.
 In this case, PIN 1 of IC1 should be connected to +3,3V



16-Inputs programmable Joystick for zx-badaloc
 by Alessandro Poppi <alessandro.poppi@tiscali.it>